

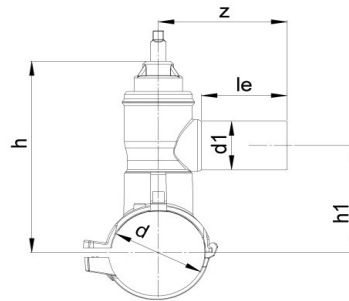
EF TAPPING VALVE

04 Update - 05/2024

TECHNICAL DATA

| | |
|-----------------------|-------------------|
| Article No | 001 117 2072 0263 |
| d (mm) | 250 |
| d1 (mm) | 32 |
| le (mm) | 74 |
| h (mm) | 317 |
| h1 (mm) | 208 |
| Z (mm) | 126 |
| L (mm) | 160 |
| Weight (Kg) | 2,630 |
| Box Quantity (pcs) | 5 |
| Box Dimension (cm) | 55x30x37,5 |

INJECTION MOULDED



IDENTIFICATION OF PRODUCT

| | |
|----------------|-------------------|
| D(mm) | 225-250x32 |
| SDR | 11 |
| RAW MATERIAL | PE 100 |
| PRESSURE CLASS | 16 Bar Water |
| TRADEMARK | NTG |
| EXECUTION | Injection Moulded |
| STANDARD | EN 12201-3 |

EF SPECIFICATION

| | |
|-----------------|-----------|
| WELDING VOLTAGE | 40 V |
| RESISTANCE | 7.0 Ω |
| WELDING TIME | 130 Sec. |
| COOLING TIME | 15 Min. |
| WINDING TYPE | Monofilar |
| WELDING BARCODE | |



142007322503407005130117

| | |
|---------------|--|
| SPECIFICATION | <p>Suitable for SDR11....17 pipe</p> <p>4 mm pin connectors</p> <p>Long fusion outlet</p> <p>Opening on the spanner is 18 turns</p> <p>Wrench 12 mm</p> <p>The valve is closed clockwise</p> |
|---------------|--|

Tolerance on diameters and thickness according to the standards. The other dimensions are specialized. Tolerance ± 5%. NTG PLASTIK reserves all the right to change any information without giving prior notice. The production, distribution and utilization of this document without explicit authorization is prohibited.